



## Rotary Washing Machines RA-RC

---



## ROTARY WASHING MACHINES RA SERIES



RA-V4

RA-V4	AMPOULES		VIALS					
	1-2ml	5-10ml	2-4R	6-8R	10-15R	20-30R	50H	100H
pcs/min	100	40	120	120	100	70	30	15

The STERILINE rotary washing machines RA series are designed to process vials & ampoules with a capacity up to 7.200 pcs/h using intermittent motion. All parts coming in contact with the interior of the containers and process fluids are made of AISI 316L stainless steel. Other parts, such as the frame, shafts, and bearings are made of AISI 304 stainless steel. Glassware is loaded onto rotating table where each piece is automatically picked up by pincers and repositioned for optimal cleaning and draining effect during its passage through washing and drying stations. These stations are equipped with needles which are lifted for glassware penetration where the appropriate washing fluids and compressed air are sprayed. After washing and drying, glassware is

automatically discharged onto the sterilization tunnel conveyor belt. The integrated control system, which includes PLC and HMI, automatically controls all the functional parameters of the machine, according to various glassware sizes and types. Parameter data are stored in different recipes, which are password protected and accessible only by supervisor and authorized personnel.

These RA washing machines can be easily assembled in monoblock version with our Compact Sterilizing Tunnel or they can be used as stand alone equipment. They are the ideal solution for Clinical Manufacturing, Laboratory and for R&D



application, thanks to their advanced compact design. All STERILINE washing machines are built in compliance with cGMP, GAMP and 21CFR Part11 requirements.

## ROTARY WASHING MACHINES RC SERIES



RC-V4

RC-V	AMPOULES		VIALS					
	1-2ml	5-10ml	2-4R	6-8R	10-15R	20-30R	50H	100H
RC-V4 (pcs/min)	200	180	200	200	200	150	100	80
RC-V8 (pcs/min)	400	250	400	300	300	250	200	150

The STERILINE rotary washing machines RC series are designed to process vials, ampoules and cartridges with a capacity range up to 24.000 pcs/h. The machine works with continuous motion. All parts that come in contact with the interior of the containers and process fluids are made of AISI 316L stainless steel. Other parts, such as the frame, shafts, and bearings are made of AISI 304 stainless steel. The glassware is loaded into pincers which rotate it upside down. The washing machines are equipped with needles which are lifted to penetrate the glassware and then spray the appropriate washing fluids and compressed air. The washing cycle can include recycled water, new water, compressed air, siliconization, hot air drying and other options required.

Pressure and temperature of the various fluids are monitored to assure constant performances. Glassware is automatically discharged at the end of the process either into trays or directly onto the tunnel infeed conveyor belt.

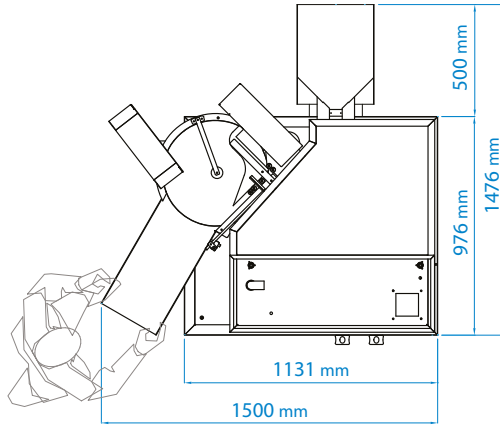
The integrated control system, including PLC and HMI automatically controls all the functional parameters of the machine, according to various glassware sizes and types. Parameters are stored in different recipes, protected by password and accessible only by supervisor and authorized personnel. Alarms are



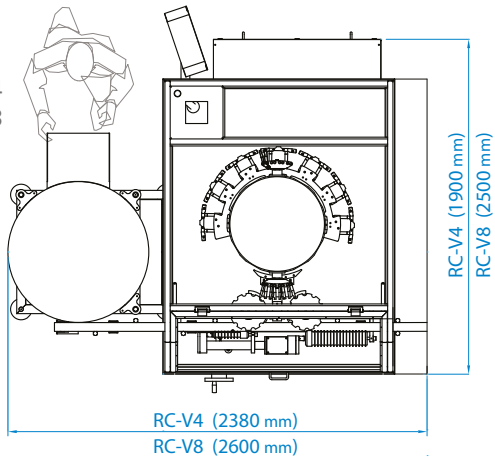
automatically displayed on the screen. All STERILINE washing machines are built in compliance with cGMP, GAMP and 21CFR Part11 requirements.

# Overall Dimensions

RA-V4



RC-V4  
RC-V8



**Steriline S.r.l.**

Via Tentorio, 30  
22100 Como - ITALY  
T +39 031.592064  
[sales@steriline.it](mailto:sales@steriline.it)  
[www.steriline.it](http://www.steriline.it)